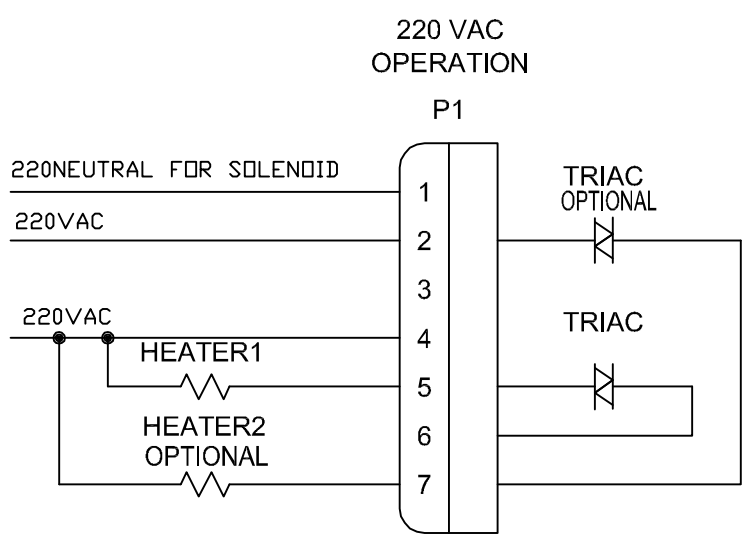
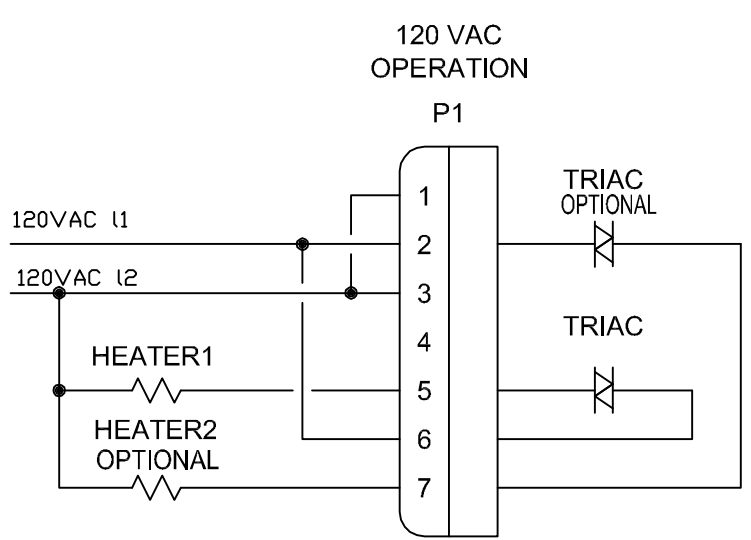
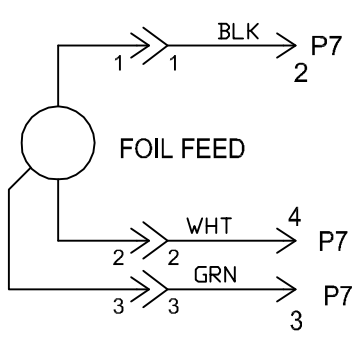
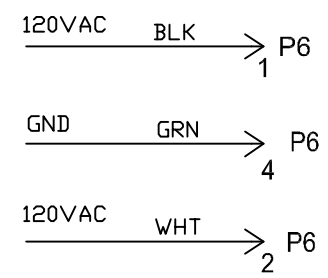
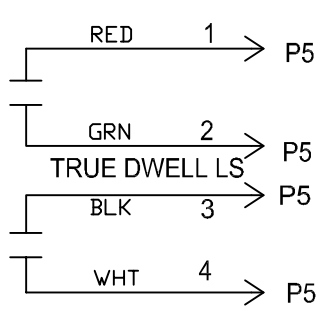
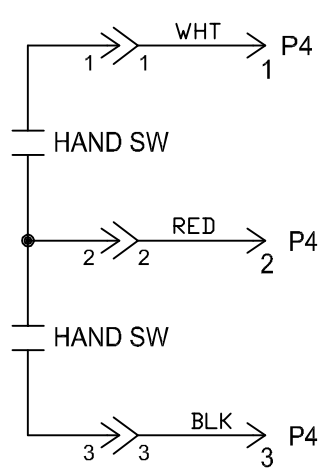
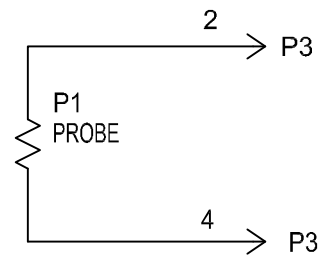
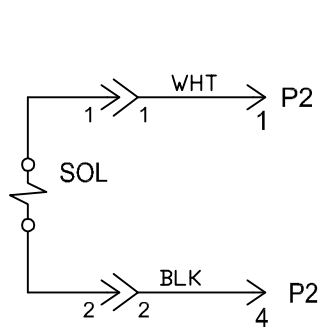
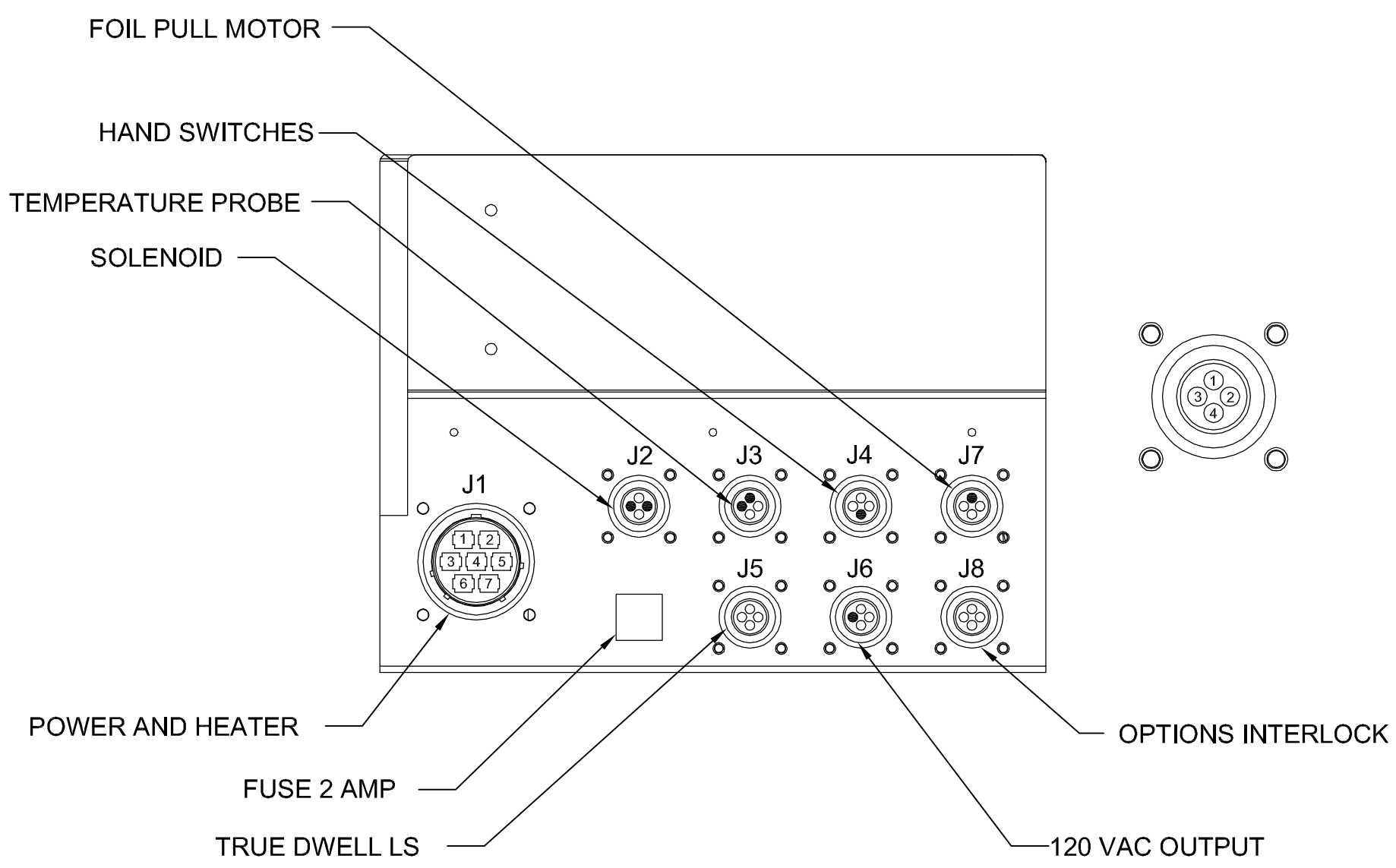


REV	DATE	CHANGE	TR NO.	REV BY.



AFM ENGINEERING, INC.
 1501 E. McFadden Ave
 Santa Ana, CA 92705

TITLE: FRANKLIN DIGITAL CONTROL BOX CABLING
 DRAWING NO. [Symbol] SHEET 1 OF 1

DESIGNED BY: IRWIN 5/23/2008
 DRAWN BY: IRWIN 5/23/2008
 CHECKED BY: C.S.I. 5/23/2008
 APPROVED BY: C.S.I. 5/23/2008